




<b>Prüfbericht - Nr.:</b> 17706266 001 <i>Test Report No.:</i>		Seite 1 von 4 Page 1 of 4	
			
<b>Auftraggeber:</b> <i>Client:</i>			
<b>Hersteller :</b> <i>Manufacturer:</i>			
<b>Gegenstand der Prüfung:</b> Storage shelter <i>Test item:</i>			
<b>Bezeichnung:</b> <i>Identification:</i>	W20H12R	<b>Serien-Nr.:</b> <i>Serial No.:</i>	Engineering sample
<b>Wareneingangs-Nr.:</b> <i>Receipt No.:</i>	N/A	<b>Eingangsdatum:</b> <i>Date of receipt:</i>	N/A
<b>Prüfart:</b> <i>Testing location:</i>	As Manufacturer		
<b>Prüfgrundlage:</b> <i>Test specification:</i>	Witness test according to client's "Snow load test plan"		
<b>Prüfresultat:</b> <i>Test Result:</i>	The test item passed the test specification(s).		
<b>Prüflaboratorium:</b> <i>Testing Laboratory:</i>	TÜV Rheinland /CCIC (Qingdao) Co., Ltd.		
<b>geprüft/ tested by:</b>		<b>Kontrolliert/reviewed by:</b>	
			
16.01.2015	Vincent Sun	21.01.2015	
<b>Datum</b> <i>Date</i>	<b>Name/Stellung</b> <i>Name/Position</i>	<b>Unterschrift</b> <i>Signature</i>	<b>Datum</b> <i>Date</i>
			<b>Name / Stellung</b> <i>Name / Position</i>
			<b>Unterschrift</b> <i>Signature</i>
<b>Sonstiges/ Other Aspects:</b>			
<b>Abkürzungen:</b> P(ass) = entspricht Prüfgrundlage F(fail) = entspricht nicht Prüfgrundlage N/A = nicht anwendbar N/T = nicht getestet		<b>Abbreviations:</b> P(ass) = passed F(fail) = failed N/A = not applicable N/T = not tested	
<b>Dieser Prüfbericht bezieht sich nur auf das o.g. Prüfmuster und darf ohne Genehmigung der Prüfstelle nicht auszugsweise vervielfältigt werden. Dieser Bericht berechtigt nicht zur Verwendung eines Prüfzeichens.</b> <i>This test report relates to the a. m. test sample. Without permission of the test center this test report is not permitted to be duplicated in extracts. This test report does not entitle to carry any safety mark on this or similar products.</i>			

**Prüfbericht-Nr.:**  
*Test Report No.:* 17706266 001

Seite 2 von 4  
Page 2 of 4

## 1. Scope

This witness test report is only to verify the load test for storage shelter frame according to snow load test plan provided by the client. We witnessed the whole testing procedure at customer site and confirm the testing result data is valid.

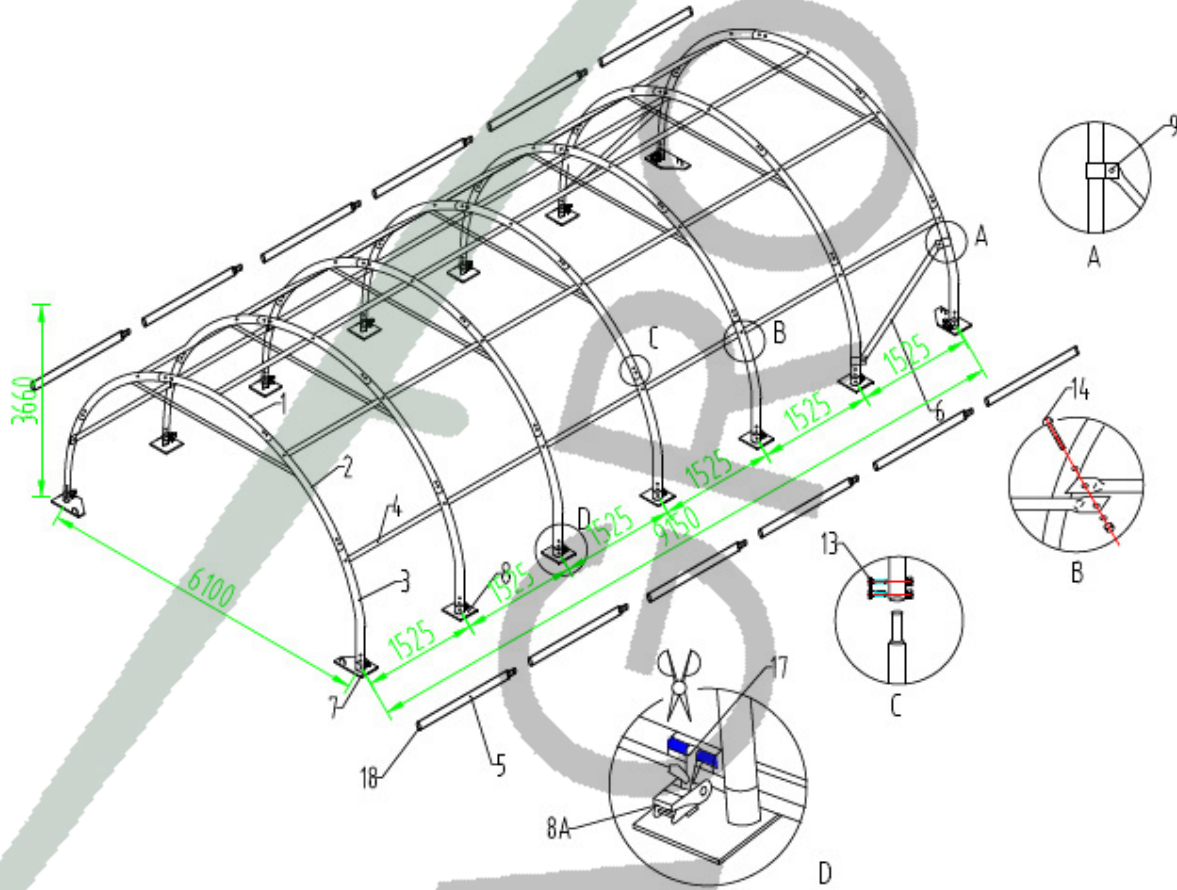
## 2. Product description:

The storage shelter frame is made of circular and square profiles. The profiles are made of Q215. The roof cover is made of 300gsm PE/420gsm PVC/610gsm PVC.

### Storage shelter picture for W20H12R:



**Dimension:**



**3. Measurement equipment list:**

Test equipment	Equipment No. / ID-No.	Next calibration
<b>Tape Ruler</b>	<b>N106 0-5m</b>	<b>23.10.2015</b>

**Prüfbericht-Nr.:**  
*Test Report No.:* 17706266 001

Seite 4 von 4  
Page 4 of 4

#### 4. Test procedure and test result:

W20H12R	Test load		Deflection		
	kg	kPa	Point A(mm)	Point B(mm)	Point C(mm)
Step1	0	0	0	0	0
Step2	285	2.38	10	8	20
Step3	Keep the test load until 30 minutes				
Step4	Remove the test load		0	0	10
Conclusion:	The test sample can withstand the applied test load without damaged				

- End of Test Report 17706266 001-